

ICOS Closure Processor LST



- SP CH2MHILL
- Brinny, Cork -










Closure Processor

Product unloading

Five different systems:

-  Product unloading into small stainless steel containers (max. 12 liters capacity)
-  Product unloading into large stainless steel containers (max. 120 liters capacity)
-  Product unloading into clean bags with in-situ thermosealing
-  Product unloading into clean bags thorough VHP Isolator
-  Product unloading into large stainless steel containers (max. 120 liters capacity) provided with Closure Sterile Transfer System (CSTS)



Closure Processor



Product unloading

Product unloading into small stainless steel containers ***in aseptic area***
(max. 12 liters capacity)



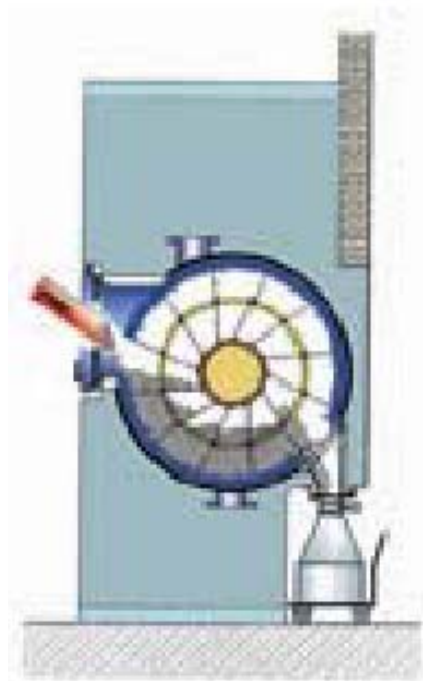


Closure Processor

Product unloading



Product unloading into large stainless steel containers *in aseptic area*



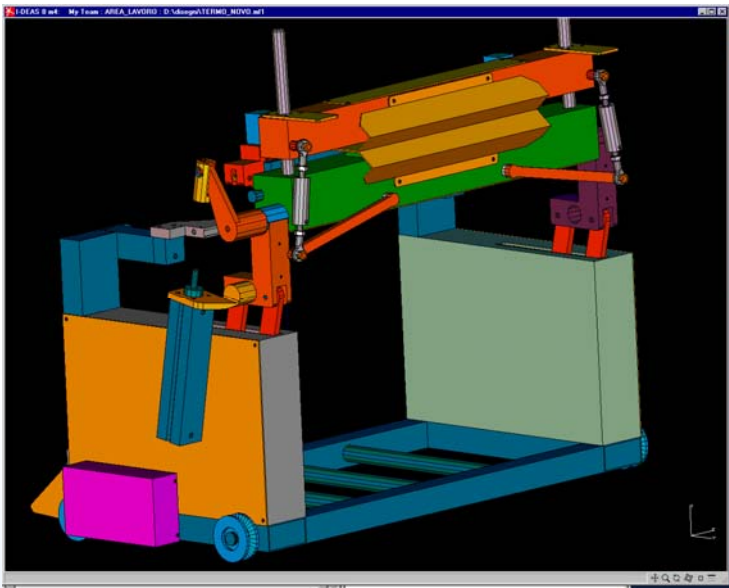


Closure Processor



Product unloading

Product unloading into clean bags with in-situ thermosealing ***in aseptic area***





Closure Processor

Product unloading



Product unloading into clean bags thorough VHP Isolator **in non - aseptic area**
(any type of container/bag can be docked to isolator)



